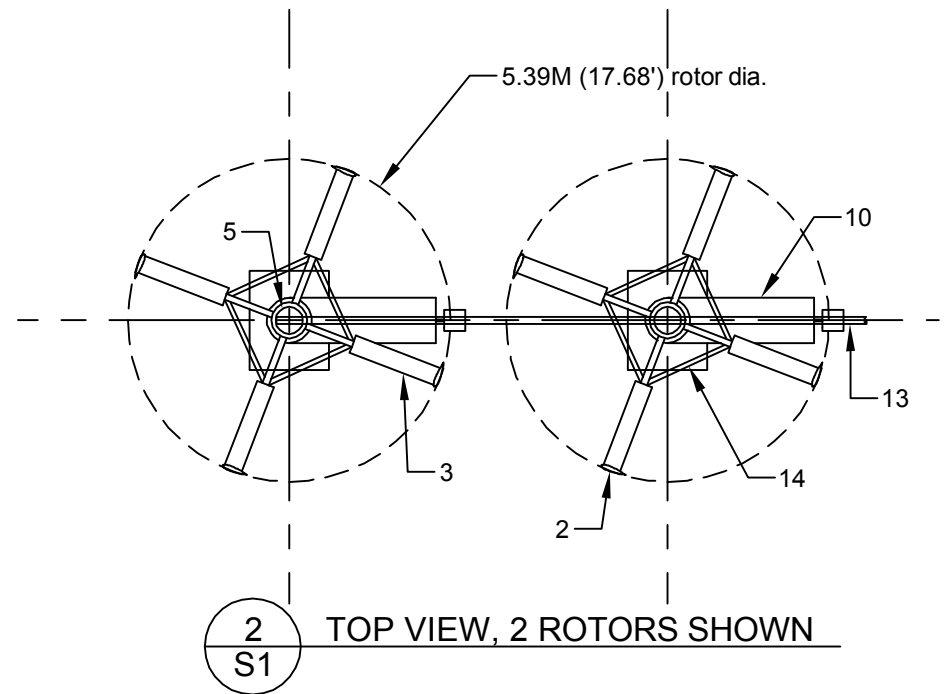


1
S1

SIDE VIEW, 1 ROTOR SHOWN



Notes:

1. MAIN SHAFT, 0.46M (18").
2. BLADES. 0.44M (17.4") CORD, 3.66M (12') LENGTH. OVERALL ROTOR HT. 11.48m (37.68').
3. BLADE SUPPORT ARM 76 mm (3") CHANNEL. (OUTER ARM STREAMLINED WITH SHEET METAL FAIRING, 12" WIDE).
4. BLADE SUPPORT CABLE.
5. TOP BEARING.
6. BOTTOM BEARING.
7. DISC BRAKE ASSEMBLY.
8. GEAR BOX (housing not shown in bottom view).
9. INDUCTION GENERATOR, 25kW.
10. BRAKE ARM AND PNEUMATIC ACTUATOR.
11. ROTOR SUPPORT CABLE (not shown in top view).
12. REINFORCED CONCRETE FOUNDATIONS, 1.3 x 1.3 x 1.3M typ. (not shown in top view).
13. TOP HORIZONTAL BRACE 102mm PIPE (4").
14. BLADE SUPPORT ARM STRUT 76mm (3") CHANNEL.



MODEL 636G

Wind Harvest International

Designer: Robert Thomas

Scale: $\frac{3}{32}" = 1'-0"$ (.3408 M)

Sheet 1 of 1